

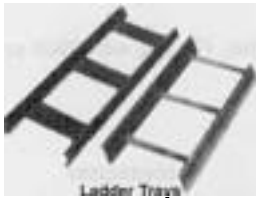
## CABLE CHANNEL & FITTINGS

Variety of cable trays in both steel and aluminum available to meet requirements of many applications. One or more trays economical for various conditions.



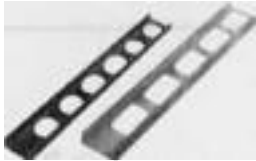
Ventilated Trough

**Ventilated Troughs.** Furnished with continuous bottoms either ventilated or non-ventilated. For use as cable support for small multi-conductor control, signal circuit and power cables. Standard widths are 6", 12", 18" and 24". Standard radii are 12" and 24".



Ladder Trays

**Ladder Trays.** Consist of two longitudinal side members or stringers connected by individual rungs. For use as power cable supports, rungs usually 18" apart. Lighter cable may require rung spacing of 9".



Channels

**Channels.** 1-pc. ventilated channel section to support single power cable or multiple control or signal cables.



PVC Coated Tray

**PVC Coated Trays.** Polyvinyl chloride coating allow installation of cable support system in areas highly corrosive to metals. Chemical and abrasion resistant. Will not chip or peel even under extreme temperatures. Applications include chemical, petrochemical, cement processing, paper and pulp, electroplating and mineral industries.



Corrugated, Ventilated Cover



Flanged, Non-Ventilated, Flat Cover



Corrugated, Ventilated Cover



Flat w/o Flange Cover

**Cable Support System Covers.** Complete line of covers and fasteners to cover every type of application is available.

**Support Material.** Full line of accessories available when cable support system is to be suspended from overhead. Trough, ladder or channel may be hung singly, in pairs or in groups by means of hanger rods in combination with hanger clips, support channels or other accessories.

When long spans must be bridged indoors or outdoors, cable trays supported in various ways depending upon length of span, possible ice load, anticipated wind load, arrangement and number of trays, and other special circumstances.

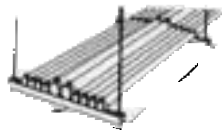
Long spans may be bridged by trussed ladders, channel beams, angle trusses, suspension cables and suspension bridges.

Structural frames, pipe supports and towers span in connection with various rigid and flexible span supports complete line of long spans offered.

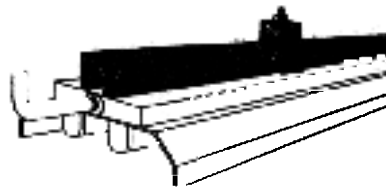
Complete Information Available on Request.

## CHANNEL & FITTINGS

### Channels



Framing System



Channel

All Channels have 7/8" Continuous Slot and are produced with Solid Bases, Bolt Holes, Slots or KO's.

		No.					
<b>B-Line*</b>	<b>Kindorf</b>	<b>Power-Strut*</b>	<b>Super Strut*</b>	<b>Unistrut*</b>	<b>Desc.</b>	<b>Gauge</b>	
B-54	B-906	PS-500	B1400	P-4100	Solid Base	14	
B-54-1-7/8-H	B-907	PS-500-H	B1400-P	P-4100-HS	Holes†	14	
B-54-SH	G-956	PS-500-S	B1400-S	P-4100-T	Slots‡	14	
B-32	B-900	PS-210	C1200	P-3000	Solid Base	12	
B-24	B-900-M	PS-210	A1400	P-1100	Solid Base	14	
B-32-1-7/8-H	B-905	PS-210-H	C1200-P	P-3000-HS	Holes†	12	
B-24-1-7/8-H	B-905-M	PS-210-H	A1400-P	P-1100-HS	Holes†	14	
G-32-SH	G-953	PS-210-S	C1200-S	P-3000-T	Slots‡	12	
G-32-6KO	G-975	PS-210-K06	C1200-K0	P-3000-6KO	KO'S§	12	
B-24-KO	G-975-M	PS-210-K06	A1400-K0	P-1100-6KO	KO'S§	14	
.....	B-995	.....	.....	.....	Holes-3 sides	12	
B-22	B-901	PS-200	A1200	P-1000	Solid Base	12	
B-22-1-7/8-H	B-909	PS-210-H	A1200-P	P-1000-HS	Holes†	12	
B-22-6KO	G-965	PS-200-K06	A1200-K0	P-1000-6KO	KO'S§	12	
B-22-SH	G-950	PS-200-S	A1200-S	P-1000-T	Slots*	12	
B-11	B-902	PS-150	H1200	P-5000	Solid Base	12	
B-11-SH	B-903	PS-150-H	H1200-P	P-5000-HS	Holes†	12	
B-11-6KO	G-955	PS-150-K06	H1200-K0	P-5000-6KO	KO'S§	12	
B-22-AL	B-905-AL	PS-210-AH	C1200-P-Alum.	P-3000-RA	Solid Base	12	

\*Channels are 1 1/2" instead of 1 1/2" wide.

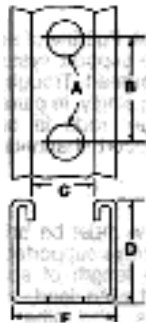
†1 7/32" holes on 1 1/2" centers.

‡3" slots on 4" centers.

§1/2" KO's on 6" centers.

\*One 2 1/4" slots on 4" centers.

**THOMAS & BETTS**  
**Pre-Punched Channel**  
 Kindorf® - Series B-905



U-shaped with 9/16" holes on 1 1/2" centers to match holes in B-900 Series fittings. Scribe

marks mid-point between holes for accurate field cutting. Turned-in edges serve as retaining points for nut and bolt assembly of fittings. Connections by means of matched holes or continuous slot.

**No. B-905.** Wt., 158 lbs./100 ft. (71.10 kg/30.4 m).

**No. B905-M.** Wt., 102 lbs./100 ft. (45.90 kg/30.4 m).

**Dimensions**

Letter	In.	mm
A	9/16	14.29
B	1 1/2	38.10
C	7/8	22.23
D	1 1/2	38.10
E	1 1/2	38.10

**Pre-Punched Channel**

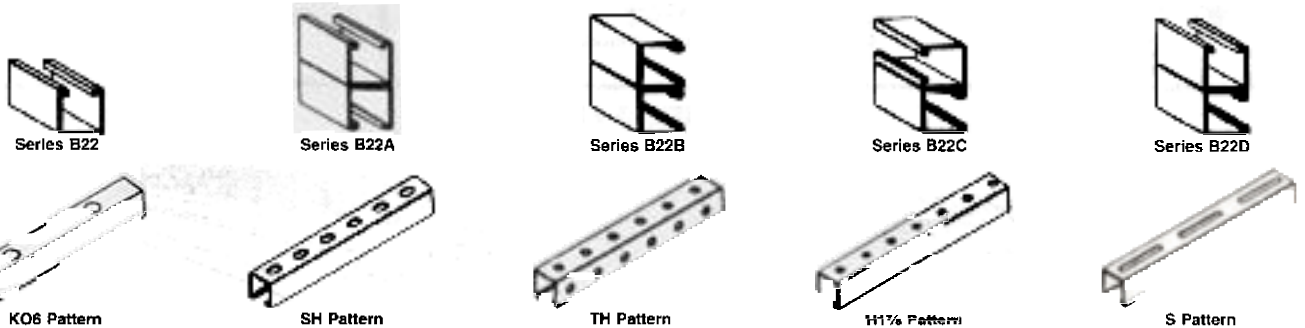
No.	UPC	Lgth.	
		FT.	m
<b>12-Ga. Galv-Krom®</b>			
B-905-10	75450	120	3.04
B-905-20	75456	240	6.08

No.	Lgth.		
	UPC	FL.	m
<b>14-Ga. Galv-Krom®</b>			
B-905-M10	75510	120	3.04
B-905-M20	75516	240	6.08
<b>Green Powder Coated</b>			
B-905-10GR	16564	120	3.04
B-905-20GR	16563	240	6.08
<b>Pre-Galvanized</b>			
B-905-10PG	16594	120	3.04
B-905-20PG	16595	240	6.08
<b>Hot Dipped Galvanized</b>			
B-905-10HD	75450	120	3.04
B-905-20HD	75456	240	6.08

**Accessories.** For use with B905 pre-punched channel.

Accessories		No.	Desc.
		B941	Joiner
		H-133-B	Bolts
		B-910-1/2	Steel Nuts
		B-911-1/2	Steel Nuts

**B-LINE®**  
**Framing Channel**  
 Series B22



Continuous slot with turned lips. Low carbon steel.

**Example: B22 -PLAIN -10FT**

**Finish:** -PLN or -PLAIN=Oil coated steel; -GRN=Dura Green® Epoxy paint; -PRE-GALV=Pre-Galvanized; -HDG=Hot Dip Galvanized; -AL=Aluminum

-SS4=Stainless steel type 304; -SS6=Stainless steel type 316

**Length:** -10FT=10 feet; -20FT=20 feet

No.	UPC	Hole Pattern	Lgth.		Wt./ Ft. Lbs.
			FL.	m	
B22-PLAIN-10FT	21110		10	1.90	1.90
B22-PLAIN-20FT	21115		20	1.90	1.90
B22K06-PLAIN-10FT	21210	K06	10	1.90	1.90
B22K06-PLAIN-20FT	21215	K06	20	1.90	1.90
B22SH-PLAIN-10FT	21310	SH	10	1.82	1.82
B22SH-PLAIN-20FT	21315	SH	20	1.82	1.82
B22TH-PLAIN-10FT	21360	TH	10	1.76	1.76
B22TH-PLAIN-20FT	21361	TH	20	1.76	1.76
B22H1-7/8-PLAIN-10FT	21410	H1 7/8	10	1.85	1.85
B22H1-7/8-PLAIN-20FT	21415	H1 7/8	20	1.85	1.85
B22S-PLAIN-10FT	21510	S	10	1.79	1.79
B22S-PLAIN-20FT	21515	S	20	1.79	1.79
B22A-PLAIN-10FT	21710	A	10	3.80	3.80
B22A-PLAIN-20FT	21715	A	20	3.80	3.80
B22B-PLAIN-10FT	21810	B	10	3.80	3.80
B22B-PLAIN-20FT	21815	B	20	3.80	3.80
B22C-PLAIN-10FT	21815	C	10	3.80	3.80
B22C-PLAIN-20FT	21817	C	20	3.80	3.80

Continued on next page

Continued from previous page

No.	UPC	Hole Pattern	Lgth. Ft.	Wt./Lbs.
B22D-PLAIN-10FT	21910	D	10	3.80
B22D-PLAIN-20FT	21915	D	20	3.80
B22-GRN-10FT	21120	...	10	1.90
B22-GRN-20FT	21125	...	20	1.90
B22K06-GRN-10FT	21220	K06	10	1.90
B22K06-GRN-20FT	21225	K06	20	1.90
B22SH-GRN-10FT	21320	SH	10	1.82
B22SH-GRN-20FT	21325	SH	20	1.82
B22TH-GRN-10FT	21370	TH	10	1.76
B22TH-GRN-20FT	21371	TH	20	1.76
B22H1-7/8-GRN-10FT	21420	H17/8	10	1.85
B22H1-7/8-GRN-20FT	21425	H17/8	20	1.85
B22S-GRN-10FT	21520	S	10	1.79
B22S-GRN-20FT	21525	S	20	1.79
B22A-GRN-10FT	21720	A	10	3.80
B22A-GRN-20FT	21725	A	20	3.80
B22B-GRN-10FT	21820	B	10	3.80
B22B-GRN-20FT	21825	B	20	3.80
B22C-GRN-10FT	21822	C	10	3.80
B22C-GRN-20FT	21827	C	20	3.80
B22D-GRN-10FT	21920	D	10	3.80
B22D-GRN-20FT	21925	D	20	3.80
B22-PRE-GALV-10FT	21130	...	10	1.90
B22-PRE-GALV-20FT	21135	...	20	1.90
B22K06-PRE-GALV-10FT	21230	K06	10	1.90
B22K06-PRE-GALV-20FT	21235	K06	20	1.90
B22SH-PRE-GALV-10FT	21330	SH	10	1.82
B22SH-PRE-GALV-20FT	21335	SH	20	1.82
B22TH-PRE-GALV-10FT	21380	TH	10	1.76
B22TH-PRE-GALV-20FT	21381	TH	20	1.76
B22H1-7/8-PRE-GALV-10FT	21430	H17/8	10	1.85
B22H1-7/8-PRE-GALV-20FT	21435	H17/8	20	1.85
B22S-PRE-GALV-10FT	21530	S	10	1.79
B22S-PRE-GALV-20FT	21535	S	20	1.79
B22A-PRE-GALV-10FT	21730	A	10	3.80
B22A-PRE-GALV-20FT	21735	A	20	3.80
B22B-PRE-GALV-10FT	21830	B	10	3.80
B22B-PRE-GALV-20FT	21835	B	20	3.80
B22C-PRE-GALV-10FT	21832	C	10	3.80
B22C-PRE-GALV-20FT	21837	C	20	3.80
B22D-PRE-GALV-10FT	21930	D	10	3.80
B22D-PRE-GALV-20FT	21935	D	20	3.80
B22SHA-GALV-10FT	.....	SH	10	1.90
B22-HDG-10FT	21109	...	10	1.90
B22-HDG-20FT	.....	...	20	1.90
B22K06-HDG-10FT	.....	K06	10	1.90
B22K06-HDG-20FT	.....	K06	20	1.90
B22SH-HDG-10FT	21308	SH	10	1.82
B22SH-HDG-20FT	.....	SH	20	1.82
B22TH-HDG-10FT	.....	TH	10	1.76
B22TH-HDG-20FT	.....	TH	20	1.76
B22H1-7/8-HDG-10FT	.....	H17/8	10	1.85
B22H1-7/8-HDG-20FT	.....	H17/8	20	1.85
B22S-HDG-10FT	.....	S	10	1.79
B22S-HDG-20FT	.....	S	20	1.79
B22A-HDG-10FT	.....	A	10	3.80
B22A-HDG-20FT	.....	A	20	3.80
B22B-HDG-10FT	.....	B	10	3.80
B22B-HDG-20FT	.....	B	20	3.80
B22C-HDG-10FT	.....	C	10	3.80
B22C-HDG-20FT	.....	C	20	3.80
B22D-HDG-10FT	.....	D	10	3.80
B22D-HDG-20FT	.....	D	20	3.80
B22SHA-HDG-10FT	.....	SH	10	1.90
B22SHA-HDG-20FT	.....	SH	20	1.90
B22-ALUM-10FT	.....	...	10	1.90
B22-ALUM-20FT	.....	...	20	1.90
B22K06-ALUM-10FT	.....	K06	10	1.90
B22K06-ALUM-20FT	.....	K06	20	1.90
B22SH-ALUM-10FT	21340	SH	10	1.82
B22SH-ALUM-20FT	.....	SH	20	1.82
B22TH-ALUM-10FT	.....	TH	10	1.76
B22TH-ALUM-20FT	.....	TH	20	1.76
B22H1-7/8-ALUM-10FT	.....	H17/8	10	1.85
B22H1-7/8-ALUM-20FT	.....	H17/8	20	1.85
B22S-ALUM-10FT	.....	S	10	1.79
B22S-ALUM-20FT	.....	S	20	1.79
B22A-ALUM-10FT	.....	A	10	3.80
B22A-ALUM-20FT	.....	A	20	3.80
B22B-ALUM-10FT	.....	B	10	3.80
B22B-ALUM-20FT	.....	B	20	3.80
B22C-ALUM-10FT	.....	C	10	3.80
B22C-ALUM-20FT	.....	C	20	3.80
B22D-ALUM-10FT	.....	D	10	3.80
B22D-ALUM-20FT	.....	D	20	3.80
B22SHA-ALUM-10FT	.....	SH	10	1.90
B22SHA-ALUM-20FT	.....	SH	20	1.90
B22-SS4-10FT	.....	...	10	1.90
B22-SS4-20FT	.....	...	20	1.90
B22K06-SS4-10FT	.....	K06	10	1.90



Continued on next page

Continued from previous page

No.	UPC	Hole Pattern	Lgth. Ft.	Wt./Lbs.
B22K06-SS4-20FT		K06	20	1.90
B22SH-SS4-10FT		SH	10	1.82
B22SH-SS4-20FT		SH	20	1.82
B22TH-SS4-10FT		TH	10	1.76
B22TH-SS4-20FT		TH	20	1.76
B22H1-7/8-SS4-10FT		H17/8	10	1.85
B22H1-7/8-SS4-20FT		H17/8	20	1.85
B22S-SS4-10FT		S	10	1.79
B22S-SS4-20FT		S	20	1.79
B22A-SS4-10FT		A	10	3.80
B22A-SS4-20FT		A	20	3.80
B22B-SS4-10FT		B	10	3.80
B22B-SS4-20FT		B	20	3.80
B22C-SS4-10FT		C	10	3.80
B22C-SS4-20FT		C	20	3.80
B22D-SS4-10FT		D	10	3.80
B22D-SS4-20FT		D	20	3.80
B22SHA-SS4-10FT		SH	10	3.80
B22SHA-SS4-20FT		SH	20	3.80
B22-SS6-10FT		...	10	1.90
B22-SS6-20FT		...	20	1.90
B22K06-SS6-10FT		K06	10	1.90
B22K06-SS6-20FT		K06	20	1.90
B22SH-SS6-10FT		SH	10	1.82
B22SH-SS6-20FT		SH	20	1.82
B22TH-SS6-10FT		TH	10	1.76
B22TH-SS6-20FT		TH	20	1.76
B22H1-7/8-SS6-10FT		H17/8	10	1.85
B22H1-7/8-SS6-20FT		H17/8	20	1.85
B22S-SS6-10FT		S	10	1.79
B22S-SS6-20FT		S	20	1.79
B22A-SS6-10FT		A	10	3.80
B22A-SS6-20FT		A	20	3.80
B22B-SS6-10FT		B	10	3.80
B22B-SS6-20FT		B	20	3.80
B22C-SS6-10FT		C	10	3.80
B22C-SS6-20FT		C	20	3.80
B22D-SS6-10FT		D	10	3.80
B22D-SS6-20FT		D	20	3.80
B22SHA-SS6-10FT		SH	10	3.80
B22SHA-SS6-20FT		SH	20	3.80

CHANNEL & FITTINGS

Conduit Pipe Straps

Single Bolt-Steel



Notched steel straps are twist inserted anywhere along channel slot to secure pipe and conduit. Slotted hex-head screw can be tightened with wrench or screw driver—square nut will not rotate. No holes to drill.

No.	Kindorf	Power-Strut	Super Strut	Unistrut	OD In.
B-Line	C-106-3/8	PS-1100-3/8	702-3/8	P-1109	.540
B-2207	C-105-3/8	PS-1100-1/2	702-1/2	P-1111	.675
B-2208	C-105-1/2	PS-1100-3/4	702-3/4	P-1112	.840
B-2209	C-105-3/4	PS-1100-1	702-1	P-1113	1.050
B-2210	C-105-1	PS-1100-11/4	702-1-1/4	P-1114	1.315
B-2211	C-105-1-1/4	PS-1100-11/2	702-1-1/2	P-1115	1.660
B-2212	C-105-1-1/2	PS-1100-2	702-2	P-1117	1.900
B-2213	C-105-2	PS-1100-21/2	702-2-1/2	P-1118	2.375
B-2014	C-105-2-1/2	PS-1100-3	702-3	P-1119	2.875
B-2015	C-105-3	PS-1100-31/2	702-3-1/2	P-1120	3.500
B-2016	C-105-3-1/2	PS-1100-4	702-4	P-1121	3.500
B-2017	C-105-4	PS-1100-4-1/2	702-4-1/2	P-1121	4.500
.....	.....	.....	.....	.....	5.000
B-2019	C-105-5	PS-1100-5	702-5	P-1123	5.563
B-2020	C-105-6	PS-1100-6	702-6	P-1124	6.625
B-2022	C-105-8	PS-1100-8	702-8	P-1126	8.625

Products shown here are for reference only. They can be sold by the locally authorized distributor.

## CHANNEL & FITTINGS

### Clevis Hangers



Black hangers provide vertical adjustment of approximately 1½" after pipe is in place. Lower nut adjusts pipe line to proper pitch and top nut, when locked into position, prevents loosening due to vibration. Assembly requires two H-114 nuts and H-193 hanger rod.

No.	Kindorf	Size, In.	Hanger Rod Size, In.
C-150-1/2		½	¾
C-150-¾		¾	¾
C-150-1		1	¾
C-150-1-¼		1¼	¾
C-150-1-½		1½	¾
C-150-2		2	¾
C-150-2-½		2½	½
C-150-3		3	½
C-150-3-½		3½	½
C-150-4		4	½

## CHANNEL & FITTINGS

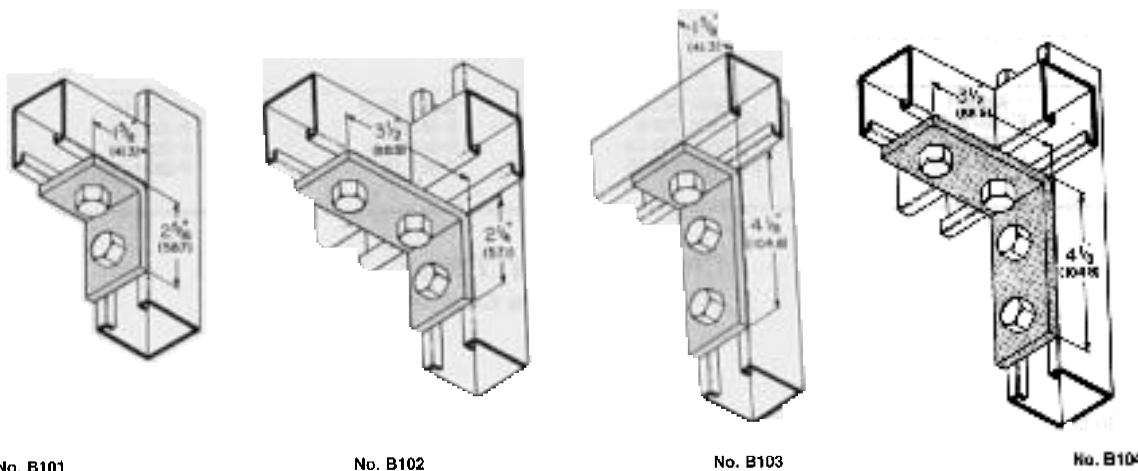
### Steel Clamping Nuts



No.	Kindorf	Power-Strut	Super Strut	Unistrut	Versabar	Thread Size
B-Line						
N521		PSSS-08-32EG	.....	P4006-0832/EG	VSN-4010-0832	#8-32
N522A		PSSS-10-24EG	.....	P4006-1024/EG	VSN-4010-1024	#10-24
N527	.....	PSSS-10-32EG	.....	.....	.....	#10-32
N524	B-912-1/4	PSSS-1/4-20EG	B100-1/4	P4006-1420/EG	VSN-4025	¼"-20
N523	B-912-5/16	PSSS-5/16EG	B100-5/16	P4007/EG	VSN-4031	⅝"-18
N528	B-912-3/8	PSSS-3/8EG	B100-3/8	P4008/EG	VSN-4037	⅜"-16
N525	B-912-1/2	PSSS-1/2EG	B100-1/2	P4010/EG	VSN-4050	½"-13
N555		PSSS-5/8EG	.....	P4012S/EG	VSN-4062	⅝"-11

## CHANNEL & FITTINGS

### 90° Angle Fittings



No. B101

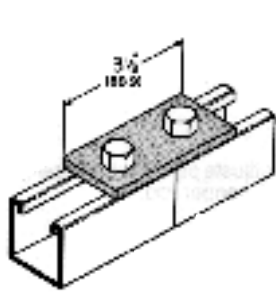
No. B102

No. B103

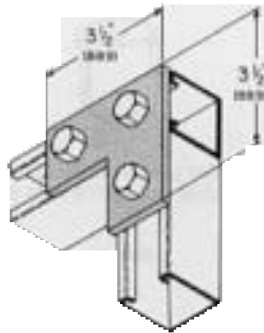
No. B104

No.	Power-Strut	Desc.	Wt./100 Lbs.
B-Line			
B101	PS 604	Two-Hole Corner Angle	37
B102	PS 605	Three Hole Corner Angle	56
B103	PS 606	Three Hole Corner Angle	56
B104	PS 608	Four Hole Corner Angle	78

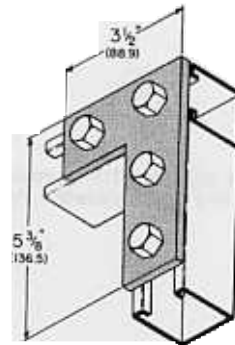
**X-REFERENCE**  
Flat Plate Fittings



No. B129



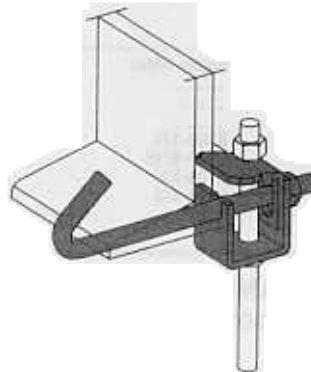
No. B140



No. B143

B-Line	No.	Power-Strut	Desc.	Wt./100
B129		PS 601	Two-Hole Splice Plate	Lbs. 37
B140		PS 718	Three Hole Corner Plate	56
B143		PS 750	Four Hole Corner Plate	75

**X-REFERENCE**  
Beam Clamps  
Adjustable For 1/2" Rod



Clamps to I-beam where flange edge does not exceed 0.8" thickness. Three sizes to fit beam flanges from 2 1/2" through 12" width.

No.					For Flange
B-Line	Kindorf	Power-Strut	Super Strut	Unistrut	Width, In.
B-751-J-4	E-160-1/2-6	PS-2622, 736-6	U-569-6	P-2824-6	2 1/2-6
B-751-J-6	E-160-1/2-9	PS-2622, 736-10	U-569-9	P-2824-9	5 1/2-9
B-751-J-6	E-160-1/2-12	PS-2622, 736-10	U-569-12	P-2824-12	8 1/2-12

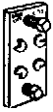
**CHANNEL & FITTINGS**  
Channel to Beam Clamps



Secures channel to beam. Fits all I-beams where flange edge does not exceed .8" thickness. Load rating each clamp 1275 lbs., safety factor of 5. Two required.

No.					For
B-Line	Kindorf	Power-Strut	Super Strut	Unistrut	Channel
B-441-22	.....	PS-2651-A	U500	P2785	B906, B907
B-441-22	E760-2	PS-2651-A	U501	P2785	B900, B905
B-441-22A	E760-3	PS-2651-A	U502	P2785	B900-2A, B902, B903

## CHANNEL & FITTINGS Column Mount Supports



For use with 1½" x 1½" channel. Provides rigid support between "H" beam flanges for mounting pipe, conduit, outlet boxes, panel boards. Two required for each installation.

B-Line		Kindorf		No.		Super Strut		Unistrut	
B-603-AE-768		E-768				U543		P-3087	

## X-REFERENCE Concrete Inserts Spot Type



Ready to install—K.O. removed after concrete sets.

B-Line		Kindorf		No.		Super Strut		Unistrut	
B2500		D-255				452		M-24	

## CHANNEL & FITTINGS Conduit & Pipe Support Riser Clamps

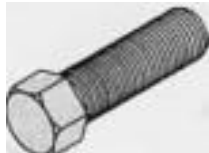
Firmly grips vertically mounted pipe or conduit and distributes the load over a larger area. Two bolts and nuts included.



B-Line		Kindorf		No.		Super Strut		Unistrut		Size, In.	
B-373		C-210-1/2		Power-Strut		C720-1/2		P-3130-7		1/2	
B-373-1		C-210-3/4				C720-3/4		P-3130-10		3/4	
B-373-2		C-210-1				C720-1		P-3130-12		1	
B-373-3		C-210-1-1/4				C720-1-1/4		P-3130-15		1 1/4	
B-373-4		C-210-1-1/2				C720-1-1/2		P-3130-20		1 1/2	
B-373-5		C-210-2				C720-2		P-3130-25		2	
B-373-6		C-210-2-1/2				C720-2-1/2		P-3130-30		2 1/2	
B-373-7		C-210-3				C720-3		P-3130-35		3	
B-373-8		C-210-3-1/2				C720-3-1/2		P-3130-40		3 1/2	
B-373-9		C-210-4				C720-4				4	

## CHANNEL & FITTINGS Hex Head Cap Screws

Used for the connection of fittings to channel.



B-Line		Kindorf		No.		Super Strut		Unistrut		Size In.	
HHCS-1/4 X 1/2		.....		PS 6024-1/4 X 1/2		.....		HHCS025044EG		1/4 x 7/16	
HHCS-1/4 X 3/4		H-113-ZA		PS 6024-1/4 X 3/4		.....		HHCS025075EG		1/4 x 1/2	
HHCS-1/4 X 1		H-113-ZB		PS 6024-1/4 X 1		.....		.....		1/4 x 3/4	
HHCS-1/4 X 1-1/4		H-113-ZC		PS 6024-1/4 X 1-1/4		.....		.....		1/4 x 1	
HHCS-1/4 X 1-1/2		H-113-ZD		PS 6024-1/4 X 1-1/2		.....		HHCS025150EG		1/4 x 1 1/4	
.....		.....		PS 6024-1/4 X 2		.....		.....		1/4 x 1 1/2	
HHCS-5/16 X 1		.....		.....		.....		.....		1/4 x 2	
HHCS-5/16 X 1-1/4		.....		.....		.....		HHCS031125EG		5/16 x 1	
HHCS-5/16 X 1-1/2		.....		.....		.....		.....		5/16 x 1 1/4	
HHCS-3/8 X 3/4		H-113-N		PS 6024-3/8 X 3/4		E142--3/8 X 3/4		HHCS037075EG		5/16 x 1 1/2	
.....		.....		.....		.....		HHCS037087EG		3/8 x 3/4	
HHCS-3/8 X 1		H-113-O		PS 6024-3/8 X 1		E142--3/8 X 1		HHCS037100EG		3/8 x 7/8	
HHCS-3/8 X 1-1/4		H-113-P		PS 6024-3/8 X 1-1/4		.....		HHCS037125EG		3/8 x 1	
HHCS-3/8 X 1-1/2		H-113-Q		PS 6024-3/8 X 1-1/2		.....		HHCS037150EG		3/8 x 1 1/4	
HHCS-3/8 X 1-3/4		H-113-R		.....		.....		.....		3/8 x 1 1/2	
HHCS-3/8 X 2		H-113-S		PS 6024-3/8 X 2		.....		.....		3/8 x 1 3/4	
HHCS-3/8 X 2-1/4		H-113-T		PS 6024-3/8 X 2-1/4		.....		HHCS037200EG		3/8 x 2	
HHCS-3/8 X 2-1/2		H-113-U		.....		.....		HHCS037225EG		3/8 x 2 1/4	
.....		H-113-V		.....		.....		HHCS037250EG		3/8 x 2 1/2	
.....		H-113-W		.....		.....		.....		3/8 x 2 3/4	
.....		H-113-X		.....		.....		.....		3/8 x 3	
.....		H-113-Y		.....		.....		.....		3/8 x 3 1/2	
.....		H-113-A		PS 6024-1/2 X 3/4		E142--1/2 X 3/4		.....		3/8 x 4	
HHCS-1/2 X 7/8		.....		.....		.....		.....		1/2 x 3/4	
.....		.....		.....		.....		.....		1/2 x 7/8	
HHCS-1/2 X 1		H-113-B		PS 6024-1/2 X 1		E142--1/2 X 1		HHCS050094EG		1/2 x 1 1/16	
.....		.....		.....		.....		.....		1/2 x 1	
HHCS-1/2 X 1-1/4		H-113-C		PS 6024-1/2 X 1-1/4		.....		HHCS050119EG		1/2 x 1 1/8	
HHCS-1/2 X 1-1/2		H-113-D		PS 6024-1/2 X 1-1/2		.....		.....		1/2 x 1 1/4	
HHCS-1/2 X 1-3/4		H-113-E		PS 6024-1/2 X 1-3/4		.....		HHCS050150EG		1/2 x 1 1/2	
HHCS-1/2 X 2		H-113-F		PS 6024-1/2 X 2		.....		HHCS050175EG		1/2 x 1 3/4	
.....		H-113-G		PS 6024-1/2 X 2-1/4		.....		HHCS050200EG		1/2 x 2	
HHCS-1/2 X 2-1/2		H-113-H		PS 6024-1/2 X 2-1/2		.....		HHCS050225EG		1/2 x 2 1/4	
.....		H-113-I		.....		.....		HHCS050250EG		1/2 x 2 1/2	
.....		H-113-J		.....		.....		.....		1/2 x 3	
.....		H-113-K		.....		.....		.....		1/2 x 3 1/2	
.....		.....		.....		.....		.....		1/2 x 4	

## CHANNEL & FITTINGS

### Hex Nuts



	No.				Size
<b>B-Line</b>		<b>Kindorf</b>	<b>Power-Strut</b>	<b>Super Strut</b>	<b>Unistrut</b>
HN-1/4		H-114-A	G-83-1/4	E145-1/4	HHXN025EG
HN-5/16		H-114-B	.....	E145-5/16	HHXN031EG
HN-3/8		H-114-C	G-83-3/8	E145-3/8	HHXN037EG
HN-1/2		H-114-D	G-83-1/2	E145-1/2	HHXN050EG
HN-5/8		H-114-E	G-83-5/8		HHXN062EG
HN-3/4		H-114-F	G-83-3/4		.....
HN-7/8		.....			
HN-1		.....			

## CHANNEL & FITTINGS

### Continuous Threaded Rod



Free-running, burr-free, threaded hanger rod is designed with the necessary holding power to serve the requirements of framing and hanging installations. Available in standard sizes 3, 6, 10, and 12 foot lengths. Other sizes available, specify desired length when ordering.

	No.			Rod Size	Threads
<b>B-Line</b>		<b>Kindorf</b>	<b>Super Strut</b>	<b>Unistrut</b>	
ATR-1/4		H-193-1/4	H104-1/4	HTHR010	#10
ATR-5/16		.....	.....	HTHR011	#10
ATR-3/8		H-193-3/8	H104-3/8	HTHR025	1/4
ATR-1/2		H-193-1/2	.....	HTHR031	5/16
ATR-5/8		H-193-5/8	G-146-1/2	HTHR037	3/8
ATR-3/4		.....	G-146-3/8	HTHR044	7/16
ATR-7/8		.....	G-146-1/2	HTHR050	1/2
ATR-1		.....	G-146-5/8	HTHR062	5/8
			G-146-3/4	HTHR075	3/4
				HTHR087	7/8
				HTHR100	1

## CHANNEL & FITTINGS

### Beam Clips

For 3/8" and 1/2" Rod



Clamps to I-beam, channel and columns flange thickness. Hardened steel cup-pointed set screw screws the clamp to the flange.

	No.				For Rod
<b>B-Line</b>		<b>Kindorf</b>	<b>Power-Strut</b>	<b>Super Strut</b>	<b>Unistrut</b>
B-765		E231-3/8	PS-2622	U-963	P-2676
B-761		E231-1/2	PS-2622	U-962	P-2676

## CHANNEL & FITTINGS

### Series Beam Clamps

For 1/4" Thru 1/2" Rod



Furnished with tapped holes in base and back for bolt or hanger rod.

	No.			Jaw Open.	Hole	Wt./100
<b>B-Line</b>		<b>Steel City</b>	<b>Super Strut</b>	<b>Unistrut</b>	<b>Tapped</b>	<b>Lbs.</b>
B-444-1/2		510	.....	P-1648S	1/4-20	15
.....		511	.....	.....	10-24	15
B-444-1/4		500	.....	P-1648S	1/4-20	23
.....		509	.....	.....	10-24	23
.....		501	.....	.....	5/16-18	47
B-444-3/8		502	M775-3/8	P-1649AS	3/8-16	95
B-444-1/2		503	M775-1/2	P-1650AS	1/2-13	164
.....		505	.....	.....	(2) 10-24 &	78
		506	.....	.....	(2) 3/8 untapped	
			.....	.....	(2) 10-24 &	108
B-444-1/2		507	.....	P-2403S	(2) 1/2-13	
		508	.....	.....	1/2-13	165
			.....	.....	1/2-13	184