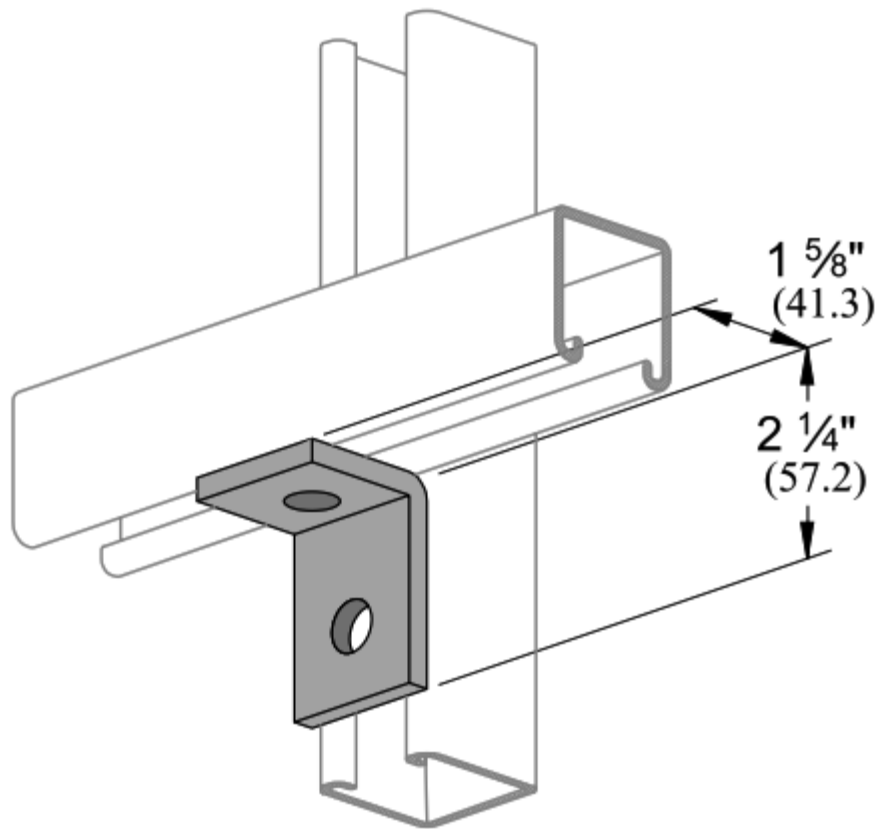


KH-2HCRNACN

2 HOLE CORNER ANGLE - 1-5/8 X 2-1/4 - ELECTRO GALVANIZED



Wt/C 38 Lbs (17.2 kg)

Hole Size	Hole Spacing	Width	Thickness
5/16" Diameter 14.3 mm	13/16" (20.6 mm) From End 17/8" (47.6 mm) On Center	15/8" 41.3 mm	1/4" 6.4 mm