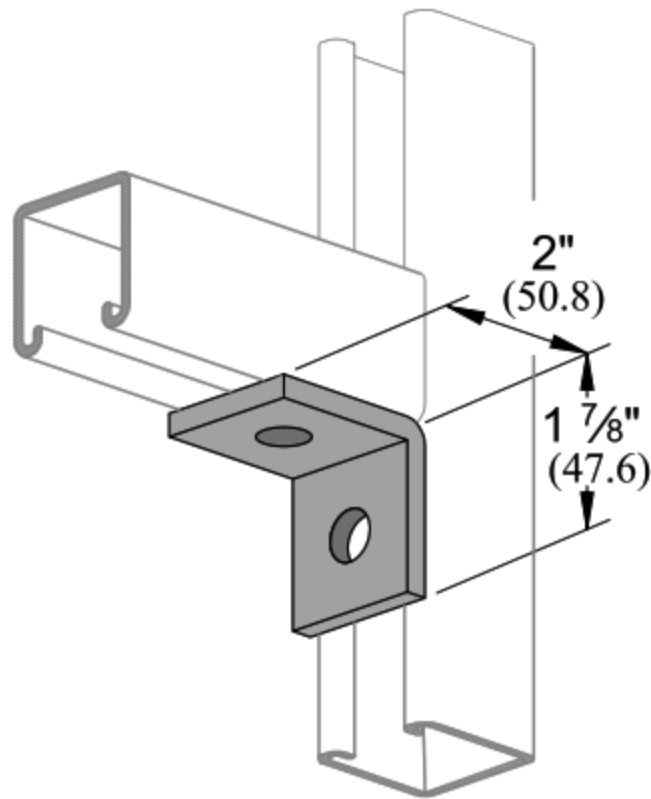


**KH-2HENDA**

**2 HOLE END ANGLE 1-7/8 X 2-1/16 - ELECTRO GALVANIZED**



Wt/C 38 Lbs (17.2 kg)

Hole Size	Hole Spacing	Width	Thickness
3/16" Diameter 14.3 mm	1 3/16" (20.6 mm) From End 1 7/8" (47.6 mm) On Center	1 5/8" 41.3 mm	1/4" 6.4 mm