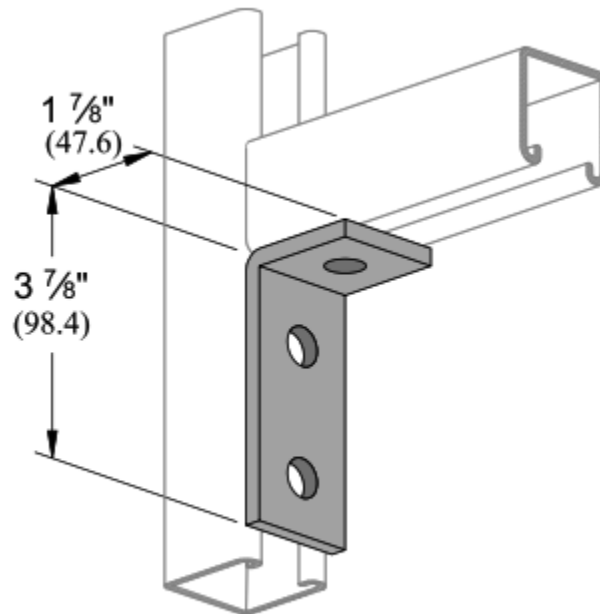


# KH-3H90DAF

## 3-Hole 90-Degree Angle Fitting - Electro-Galvanized Finish



Wt/C 58 Lbs (26.3 kg)