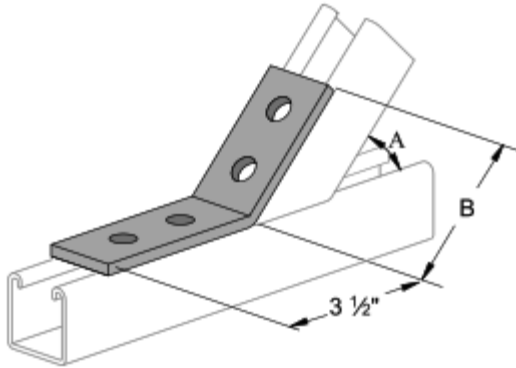


KH-4H45DAF

4-Hole 45-Degree Angle Fitting - Electro-Galvanized Finish



PART NUMBER	"A" (rad)	"B" (in)
KH-4H45DAF	45DEG	3-11/16"

KH-3HZSF

3-Hole Z-Shaped Fitting - Electro-Galvanized Finish

