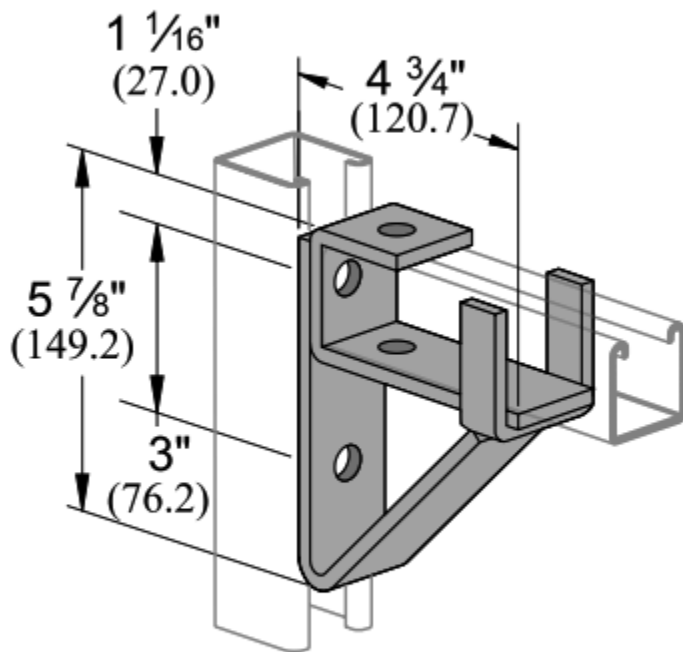


KH-SCBS

SINGLE CHANNEL BRACKET SUPPORT - ELECTRO GALVANIZED



* Allowable moment for fitting only. Channel may determine overall capacity.

Material: 1/4" (6.4)
thick steel.

Wt/C 229 Lbs (103.9 kg)

Safety Factor - 2 1/2