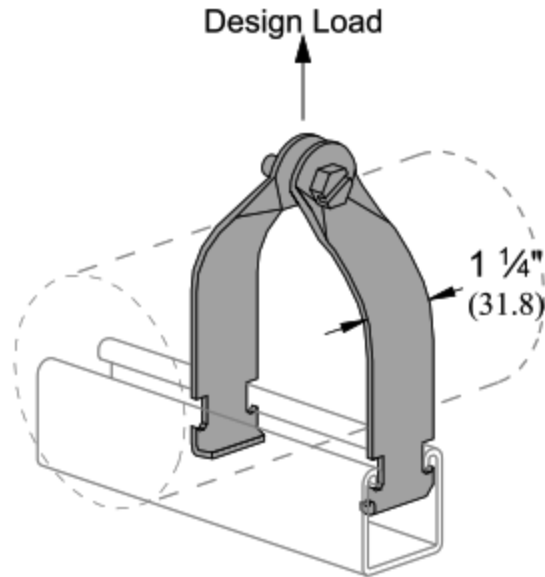


Universal Clamps for Rigid or Thinwall Conduit



Slotted hex head screw and nut included.

Part	Pipe/Conduit Size In	Thickness Gauge (mm)	Wt/100 pcs Lbs (kg)	Design Load Lbs (kg)
KH-12UCLMP	1/2	16 1.5	10 4.5	400 181
KH-34UCLMP	3/4	16 1.5	11 5.0	400 181
KH-1UCLMP	1	16 1.5	12 5.4	400 181
KH-114UCLMP	1 1/4	14 1.9	18 8.2	600 272
KH-112UCLMP	1 1/2	14 1.9	20 9.1	600 272
KH-2UCLMP	2	14 1.9	22 10.0	600 272