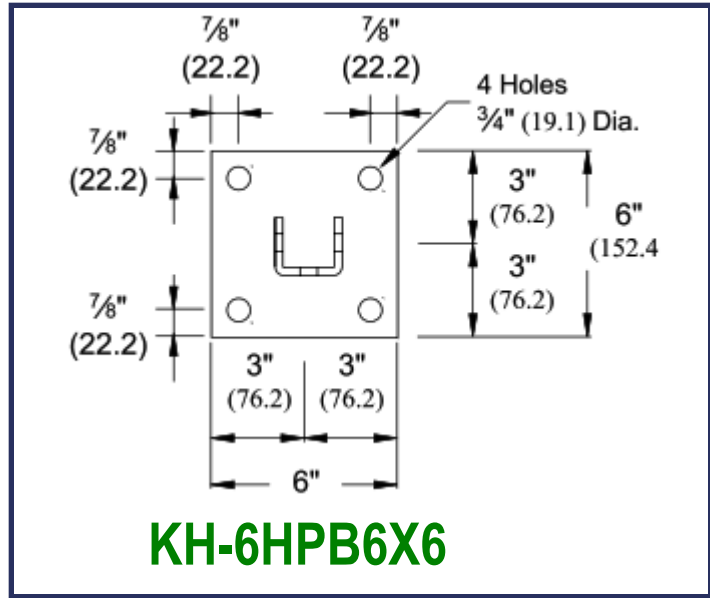
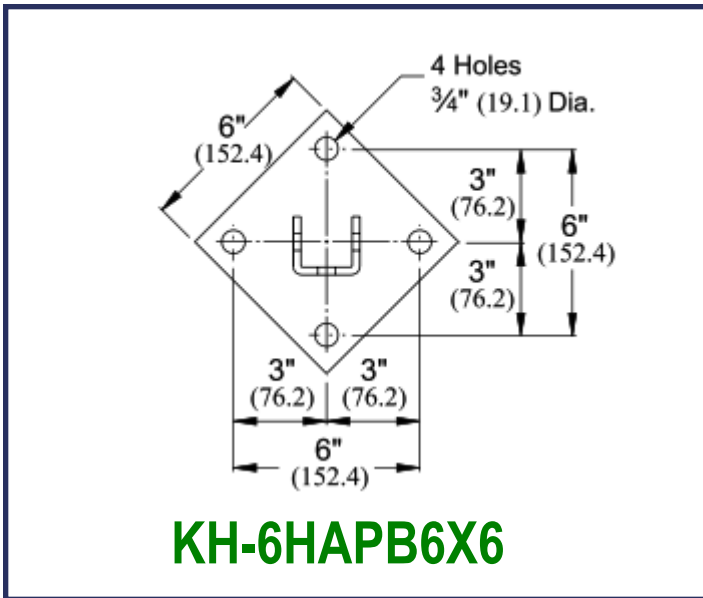
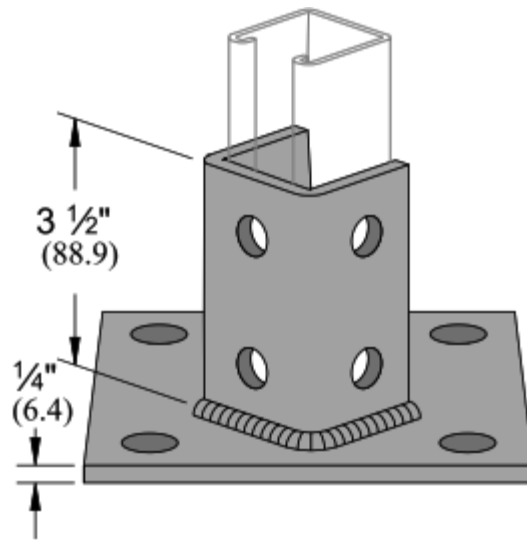
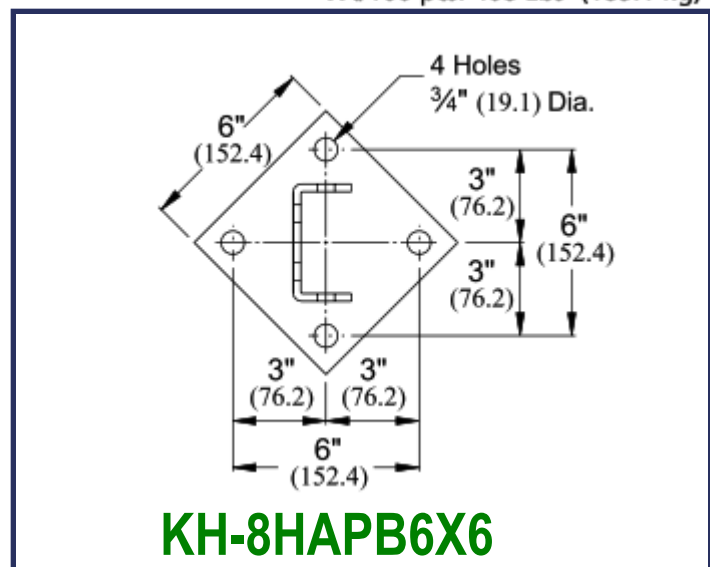
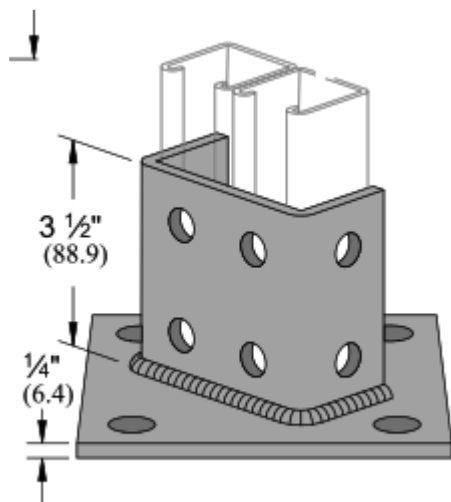


Wt/100 pcs: 373 Lbs (169.2 kg)



Wt/100 pcs: 408 Lbs (185.1 kg)



Standard Dimensions for 1 1/2" (41 mm) width series channel fittings (Unless Otherwise Shown on Drawing)
Hole Diameter: 3/16" (14.3mm); **Hole Spacing - From End:** 1 3/16" (20.6 mm); **Hole Spacing - On Center:** 1 7/8" (47.6 mm); **Width:** 1 1/2"(41mm); **Thickness:** 1/4" (6.4mm)